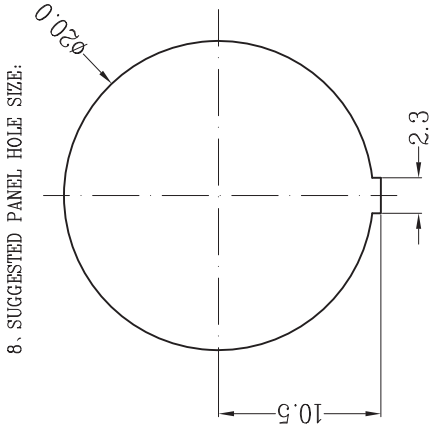
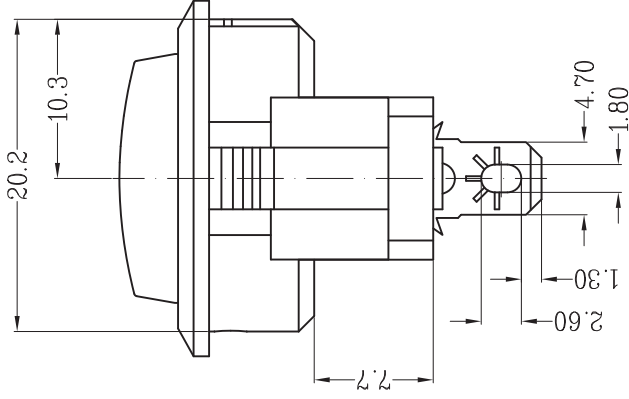
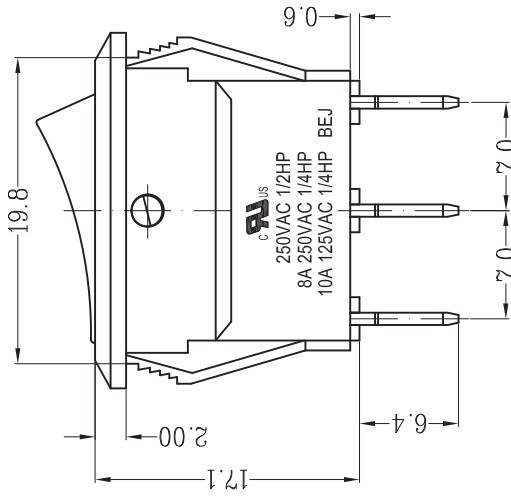
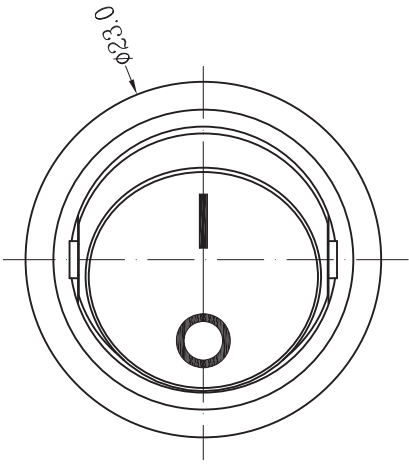
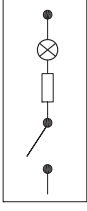
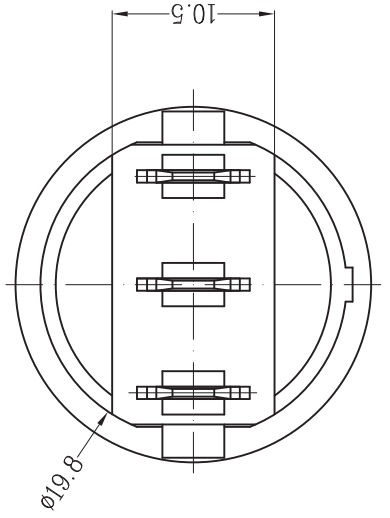
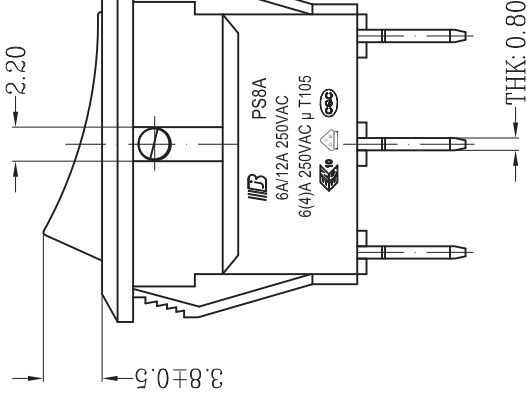


- 1? FUNCTION: OFF-ON
- 2? RATING: UL: 250VAC 1/2HP 8A 250VAC 1/4HP 10A 125VAC 1/4HP
- CQC: 6A/12A 250VAC
- ENEC VDE: 6(4)A 250VAC μ T105
- 3? OPERATION FORCE: 650 \pm 350gf
- 4? CONTACT RESISTANCE: \leq 50 m Ω
- 5? INSULATION RESISTANCE: \geq 100 M Ω
- 6? DIELECTRIC WITHSTAND: TERMINAL TO BUTTON 3000VAC/5mA/1MINUTE
- TERMINAL TO TERMINAL 1500VAC/5mA/1MINUTE

7. CIRCUIT DIAGRAM:



8. SUGGESTED PANEL HOLE SIZE:



TOLERANCE UNLESS SPECIFIED							
.X: ± 0.30		: ± 0.15 ANGULAR $\pm 3.0^\circ$		V1.0			
PROJECTION		ISSUE	DATE	DESCRIPTIONS OF REVISION			
TITLE: ROCKER SWITCH	UNIT: mm	SCALE: NOT SCALE	FUNCTION: OFF-ON	DRWG NO.:	BEJ-FH-W0872	APPD.	
MODEL: PS8A-7B-WIR3-2HI5-02(28698A22269)				DWN.	吴为萍	2017-11-15	
				CHK'D.	冯辉	2017-11-15	
				APPD.	谭云峰	2017-11-15	

东莞市浚程电子科技有限公司